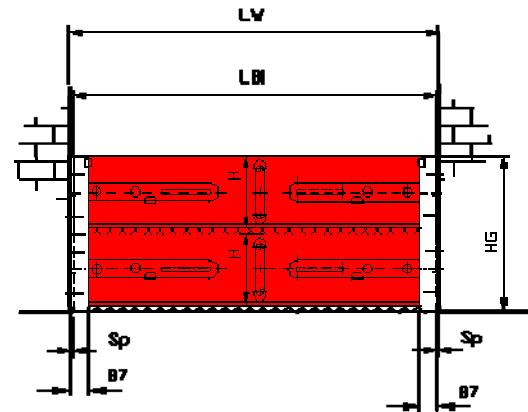


## 1.7 Retention barrier type BL/BTL-SB

Article root number: 022

### Barrier – slide-insert with stacking capability

Dimensions:		
Standard height		100 mm
Special situations	up to	1800 mm
Standard length	up to	2100 mm
Special situations	up to	2500 mm
Width		50 mm



### 1.7.1 Description

Suitable for crack-free surfaces with up to 15 mm ( $\pm 7.5$  mm) of floor/ground unevenness, e.g. concrete, corrugated sheet metal, tiles, stones, etc.

The Retention Barrier is comprised of two or more rectangular, integral hollow aluminium profiled sections. A compressible, highly adaptable special seal is affixed to the lowermost barrier body. Each additional barrier body is provided with an easily compressible EPDM-based seal.

The retention barriers, as a matter of preference, are securely and universally mounted in two U-shaped fixtures, which are located within the jamb of a door/gate, between walls, etc. The barrier is then tightly sealed against the building or structure. Mounting outside of the doorjamb is also possible with a special version.

Attached to each closure barrier are two swivelling tensioning levers with which the necessary force is applied for securing and sealing in the guiding tracks and against the floor/ground or other closure barriers. A tight and secure seal is ensured in this manner. The tensioning force is adjustable. The levers lock into place.

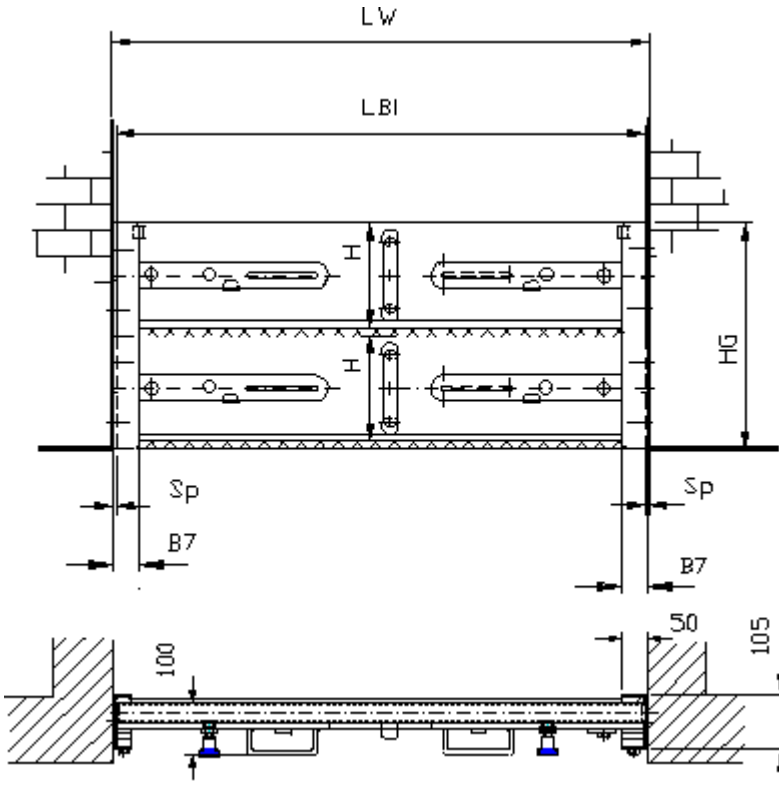
Wall mounts are included in the product package to provide for orderly storage.

Barrier bodies and mounting fixtures are furnished with a red paint finish, preferably "traffic red" RAL 3020. The remaining metal components are galvanized or made of aluminium.

### Features:

- Ease of use and high degree of adaptability
- Design-tested (LGA, Trade Supervision Department - Bavaria, Germany) as BL/BTL
- Quality-monitored (Ing.-Büro Blobel, Friedberg, Germany)
- Tested by the fire-fighting industry (IdF, Fire Brigade Institute, Heyrothsberge, Germany)

1.7.2 Drawing – "within the doorjamb"



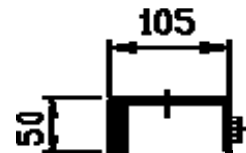
**BL / BTL-SB (Barrier – doorjamb - stacking capability)**

Table of dimensions for specified dimension LBi (LBi = barrier length, within the jamb)

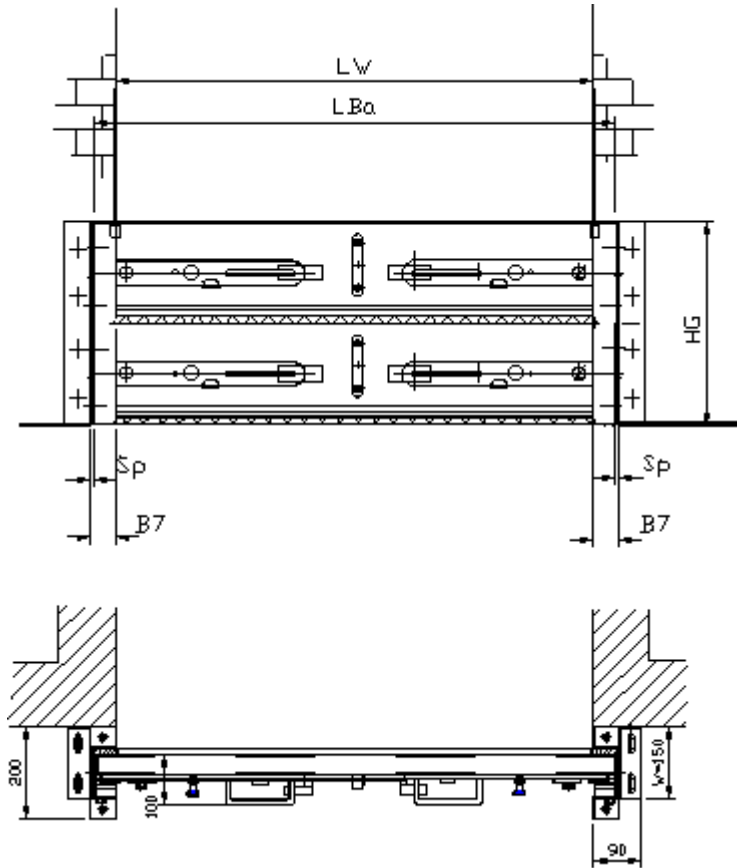
**B7/50**

Height H [mm]	LWi [mm]	
100, 150	up to 2500	$L_{Bi} = L_w - (2 \times Sp_7)$
200, 250		$Sp_7 = 15 \text{ mm}$
300, 350		$H = \text{Element height (100, 150, 200, 300)}$
400, 450		$HG = n \times \text{components} + n \times 10 + 15$
... 2100		

B7



1.7.3 Drawing – "outside of doorjamb"



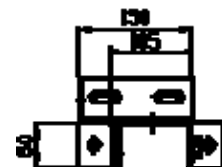
**BL / BTL-SB (Barrier – doorjamb - stacking capability)**

Table of dimensions for specified dimension LBa (LBa = barrier length, outside of jamb)

**B7/50**

Height H [mm]	LWa [mm]	LBa = Lw + 2 x Z <sub>7</sub>
100	up to 2500	Sp <sub>7</sub> = 15 mm
150		Z <sub>7</sub> = 40 mm
200		H = height of element
250		HG = n x elements + n x 10 + 15
300		
... 2100		

B7.1



*Europe*

**Blobel Umwelttechnik GmbH**

Ziegeleistraße 5  
86368 Gersthofen, Germany

Telephone: +49 (0)821 498190-0  
Telefax: +49 (0)821 498190-30

email: [info@blobel.de](mailto:info@blobel.de)  
Web: [www.blobel.de](http://www.blobel.de)

*North America / Canada*

**BLOBEL Environmental Engineering LLC**

270 Presidential Drive  
Wilmington, Delaware 19807, USA

Telephone: +1 302-353-1555  
Telefax: +1 302-288-3753  
Mobile: +1-215-666-2267

email: [info@blobel.us](mailto:info@blobel.us)  
Web: [www.blobel.com](http://www.blobel.com)

*Asia / Pacific / South America*

**Blobel Environmental Engineering**

6/41 Belgrave Street  
Sydney NSW 2024, Australia

Telephone: +61 (0)2/93 69 35 04  
Mobile: +61 (0) 4 19 27 94 81

email: [mail@blobel.com](mailto:mail@blobel.com)  
Web: [www.blobel.com](http://www.blobel.com)